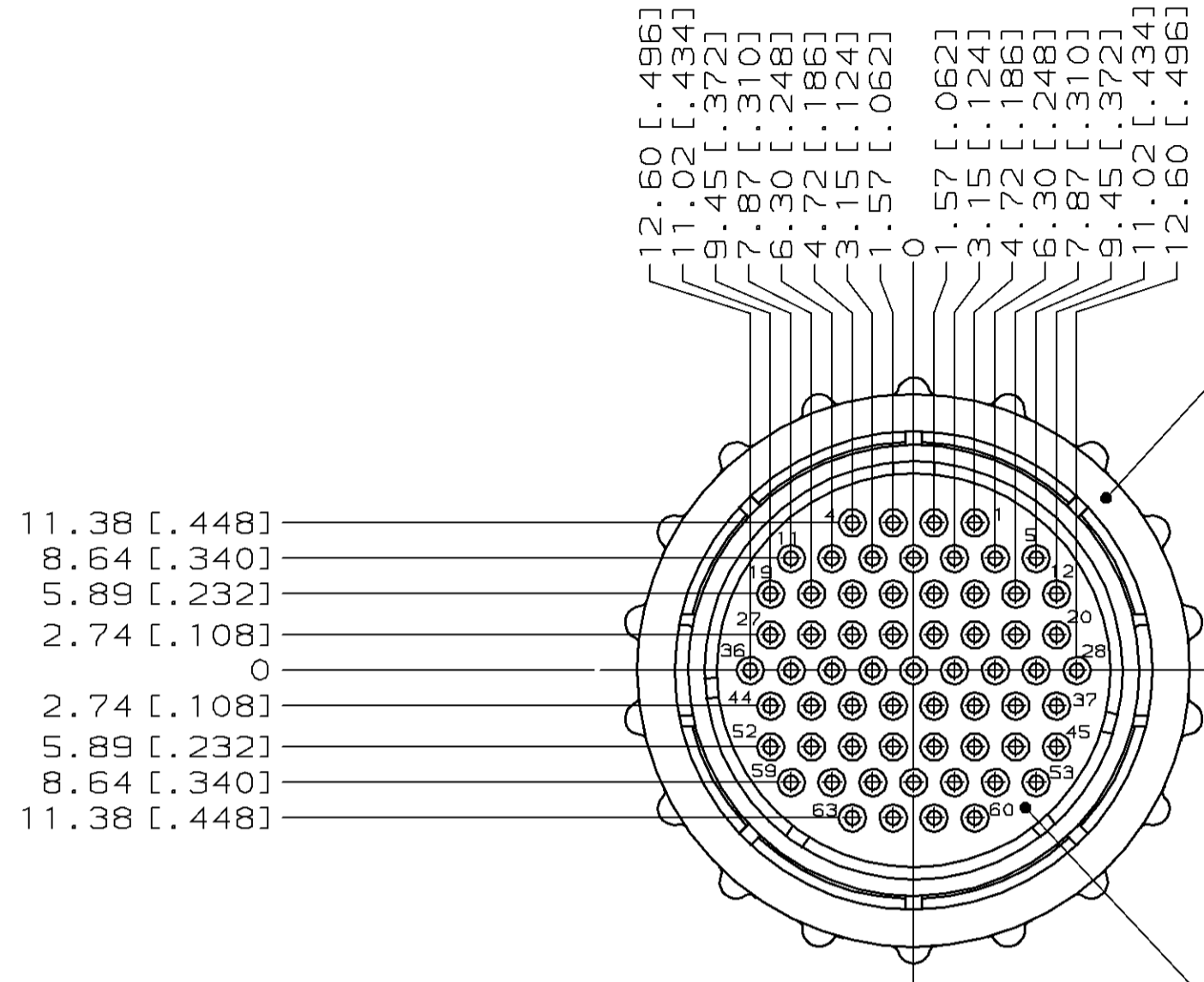


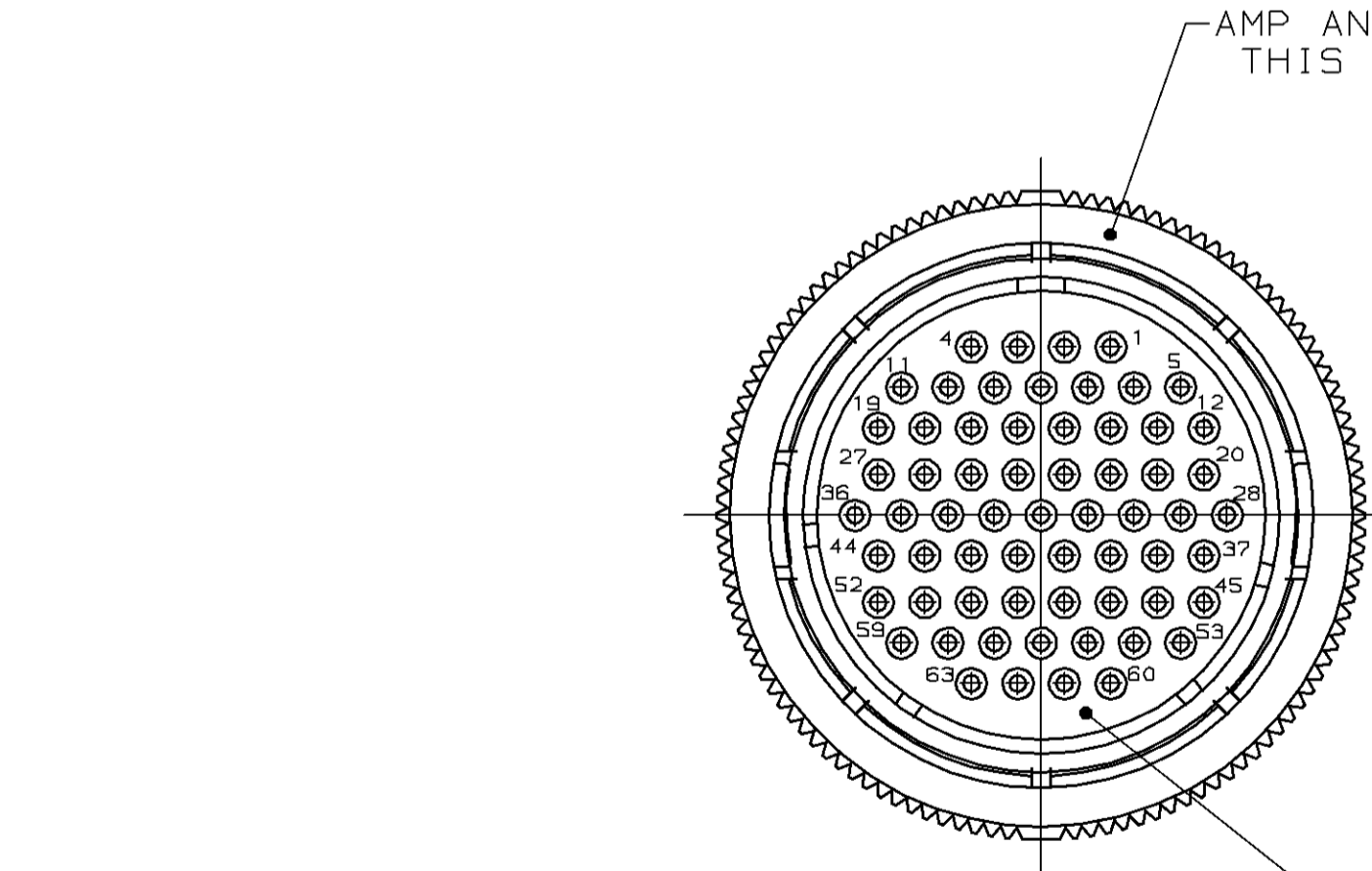
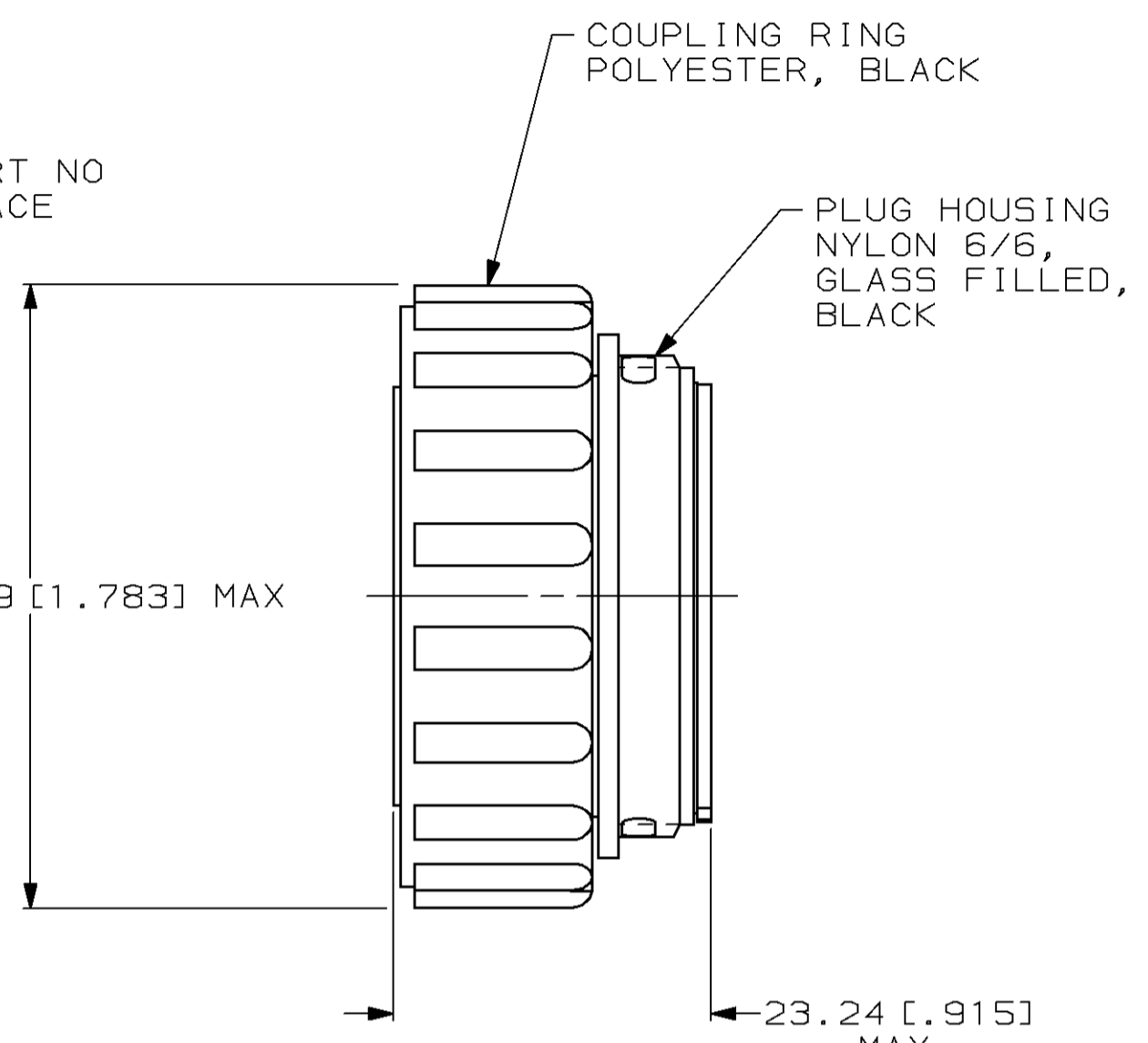
THIS DRAWING IS UNPUBLISHED. RELEASED FOR PUBLICATION
 BY AMP INCORPORATED. ALL RIGHTS RESERVED.

LOC		DIST		REVISIONS			
P	LTR	DESCRIPTION	DATE	DWN	APVD		
FT	4						
	J	ADDED -2 PER EC 061C-32-98	24 MAR 98	PB	RW		



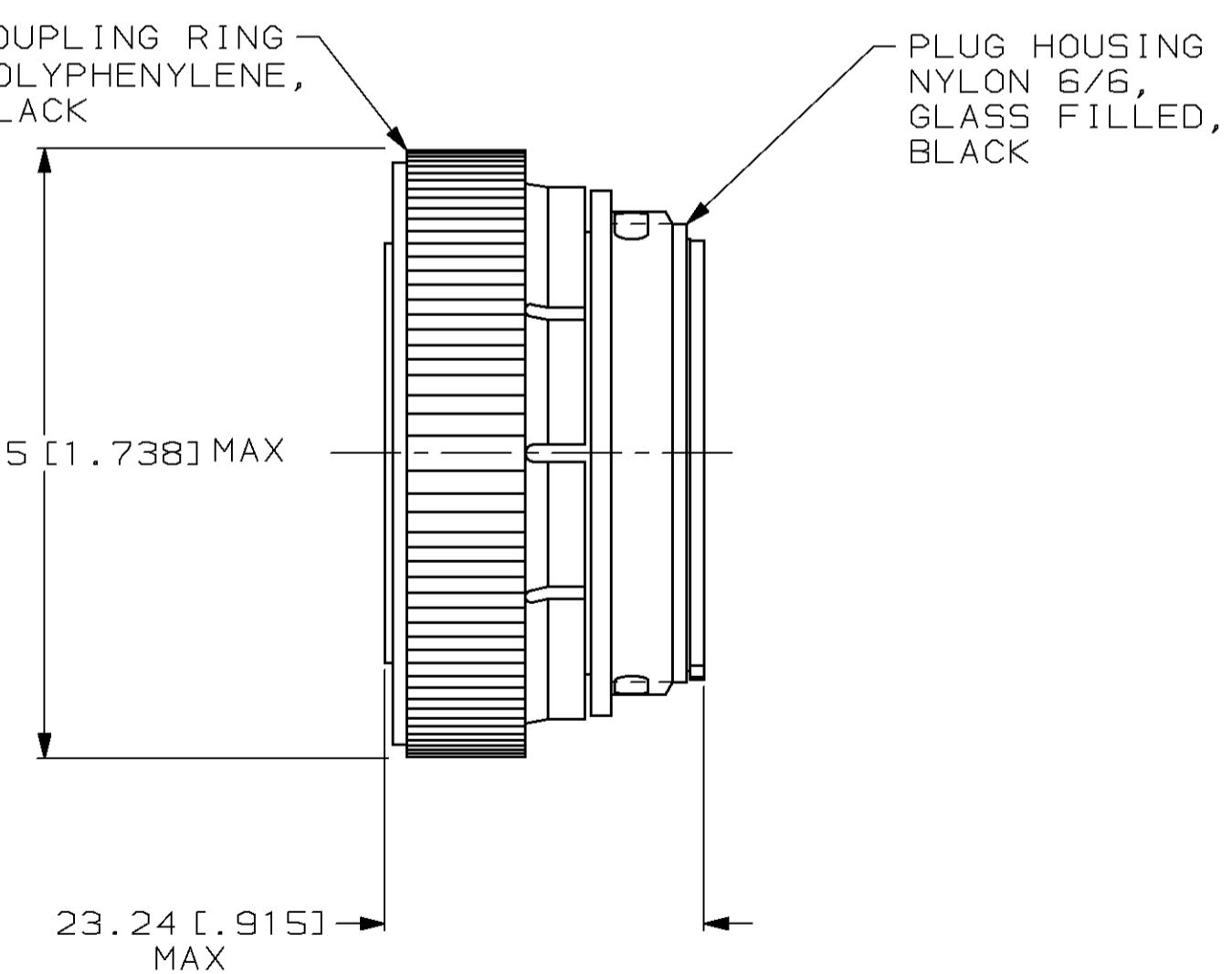
AMP AND PART NO THIS SURFACE

MATING FACE (-1 ONLY)



AMP AND PART NO THIS SURFACE

MATING FACE (-2 ONLY)



- CONTACT CAVITIES IDENTIFIED BY CHARACTERS ON FRONT AND REAR FACES OF CONNECTOR.
- WILL ACCEPT (63) SIZE 20 SOCKET CONTACTS.

205842-2
205842-1
PART NUMBER

THIS DRAWING IS A CONTROLLED DOCUMENT.		DWN A. STAUB BG 4 APR 91	AMP Incorporated Harrisburg, PA 17105-3608	
DIMENSIONS: mm [INCHES]		CHK W. LENKER 23 JUL 92	NAME K. BEAVER	
TOLERANCES UNLESS OTHERWISE SPECIFIED:		APVD K. BEAVER 23 JUL 92	PRODUCT SPEC 108-10024	
0 PLC ±-	1 PLC ±-	APPLICATION SPEC		
2 PLC ±0.13 [.005]	3 PLC ±-	SIZE A2		
4 PLC ±-	ANGLES ±-	CAGE CODE 00779		
MATERIAL SEE CALLOUTS	FINISH -	DRAWING NO 205842		
CUSTOMER DRAWING		RESTRICTED TO		
SCALE 2:1		SHEET 1 OF 1		
		REV J		

205842